

PT100 Temperature Signal Isolated Transmitter

Features:

- >> One input: Pt100 (-200 ~ +600 °C) (scope optional)
Also can choose Pt1000/Cu50/Pt10/Cu100
- >> One output: 4-20mA / 0-5V/0-10V standard signal
- >> Accuracy: 0.2 (FSR%)
- >> Containing linear and long-term compensation
- >> Power supply: 5V/12V/15V/24VDC
- >> Isolation voltage: 2500VDC (1mA, 60S)
- >> Three isolation: input/output /power supply
- >> Installation: DIN35 rail
- >> Industrial temperature range: - 40 ~ + 85 deg.C
- >> Size: 79.0x69.5x25.0mm



Product description:

The product is isolated Pt100/PT1000/PT10/Cu50/Cu100 temperature sensor transmitter, in industry mainly used for measuring the temperature of -200 ~ +500 Deg.C. The transmitter has linear and long-term compensation, the factory in accordance with national standard Pt100 indexing table calibration, fully meets 0.2accuracy. Input, output, and auxiliary power supply is completely isolated (three isolation), can withstand 2500VDC isolation voltage. Products using international standards for rail mounting DIN35, small size, high precision, stable performance, cost-effective, can be widely used in petroleum, chemical, power, instrumentation and industrial control industries.

Product Listing:

WJ11 - Z□ - T□ - P□ - A/V□

Input Signal: Z		Range: T		Power Supply: P		Output Signal: A or V			
	Code	T	Code	P	Code	Current: A	Code	Voltage: V	Code
PT100	Z1	-20-100°C	T1	24VDC	P1	0-20ma	A3	0-5V	V1
PT10	Z2	0-100°C	T2	12VDC	P2	4-20ma	A4	0-10V	V2
Cu100	Z3	0-150°C	T3	5VDC	P3	User-defined	Au	1-5V	V6
Cu50	Z4	0-200°C	T4	15VDC	P4			User-defined	Vu
Pt1000	Z5	0-400°C	T5						
		User-defined	Tu						

Samples:

signal Input: Pt100,temperature range:0~100°C, signal output :4-20mA, power:24VDC

Part No.: **WJ11-Z1-T2-P1-A4**

signal Input: Pt1000,temperature range:0~200°C; signal output:0-10V, power:12VDC

Part No.: **WJ11-Z5-T4-P2-V2**

signal Input: Pt100,temperature range:-50~150°C; signal output:0-5V; power:24VDC

Part No.: **WJ11-Z1-Tu-P1-V1(Tu:-50~150°C)**

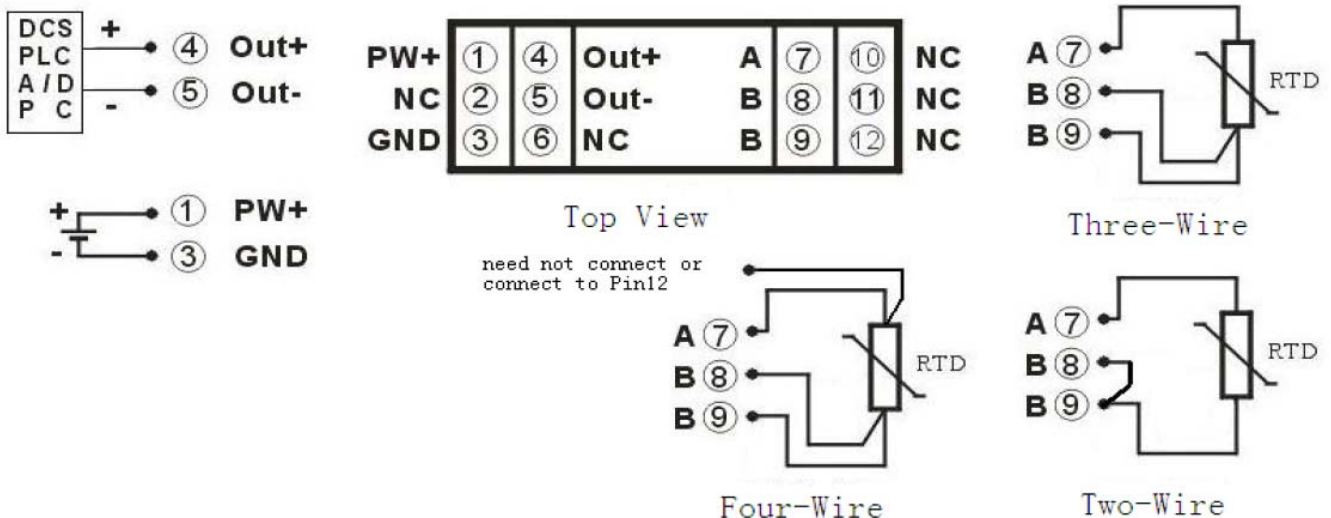
General parameters:

- >> Accuracy ----- 0.2% (relative to temperature)
- >> Input ----- three-wire, four-wire or two-wire RTD signal, you can choose Pt100, Pt1000, Pt10, Cu50, Cu100 thermal resistance.(Need to select a temperature range and a output signal)
- >> Output ----- standard voltage or current signal. Can also be user-defined
- >> Response time ----- $\leq 100\text{ms}$
- >> Auxiliary power ----- DC5V, 9V, 12V, 15V, 24V
- >> Power ----- $<1\text{W}$
- >> Temperature drift ----- $50\text{ppm} / ^\circ\text{C}$ (typical)
- >> Load capacity ----- voltage output: $\geq 2\text{ k}\Omega$
- >> Current output: $\leq 450\ \Omega$
- >> Isolation ----- input / output / auxiliary power isolation
- >> Isolation voltage ----- 2500VDC, 1 minute, leakage current (1mA)
- >> Impact resistance voltage ----- 3KV, 1.2/50us (peak value)
- >> Operating Temperature ----- -40 to $+85\ ^\circ\text{C}$
- >> Storage Temperature ----- $-45 \sim +80\ ^\circ\text{C}$
- >> Operating Humidity ----- 10 ~ 90% (no condensation)
- >> Storage Humidity ----- 10 ~ 95% (no condensation)

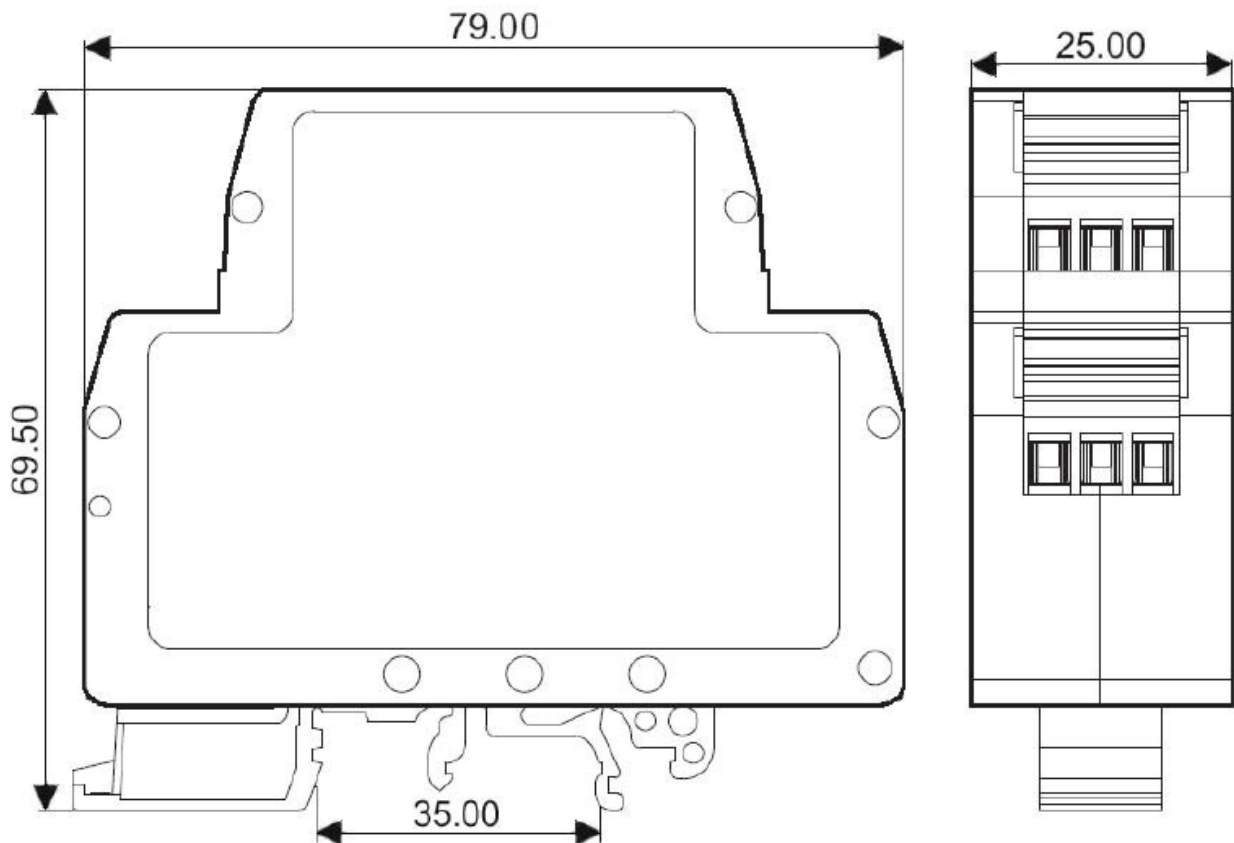
Products Connecting Diagram:

Pin	Function	Pin	Function
1	Vcc	7	A
2	NC	8	B
3	GND	9	B
4	Out +	10	NC
5	Out -	11	NC
6	NC	12	NC

Wiring Diagram:



Size (unit:mm)

**Note:**

1. Before using, according to packing lists, and product labels, check the quantity, models and specifications
2. When measure the signal directly, please set the terminal tighten
3. There are no damaged insulation, conductive dust and corrosive fumes of metal in the environment
4. Installation pitch $\geq 10\text{mm}$
5. We have adjusted well, do not adjust arbitrarily
6. Warranty: two years. But if clients damage products by themselves or tear off any labels on the product, we can not exchange
7. Products can not been used in strong magnetic field
8. Internal no anti-lightning circuit
9. Specifications subject to change without notice

CopyrightCopyright © 2012 **Shenzhen WAYJUN Industrial Automation**

Specifications subject to change without notice.

Brand

In this manual, mentioned other trademarks and copyright belongs to their respective owners.

* Specifications subject to change without notice